

KB Name	2G/3G GSM antenna + cable kit		
Type	Product description : EW40922, EW40923		
Since revision			
KB Number	KB-0037-0	Build	5
Mod date	10. Jun. 2010		

2G/3G GSM antenna + cable kit

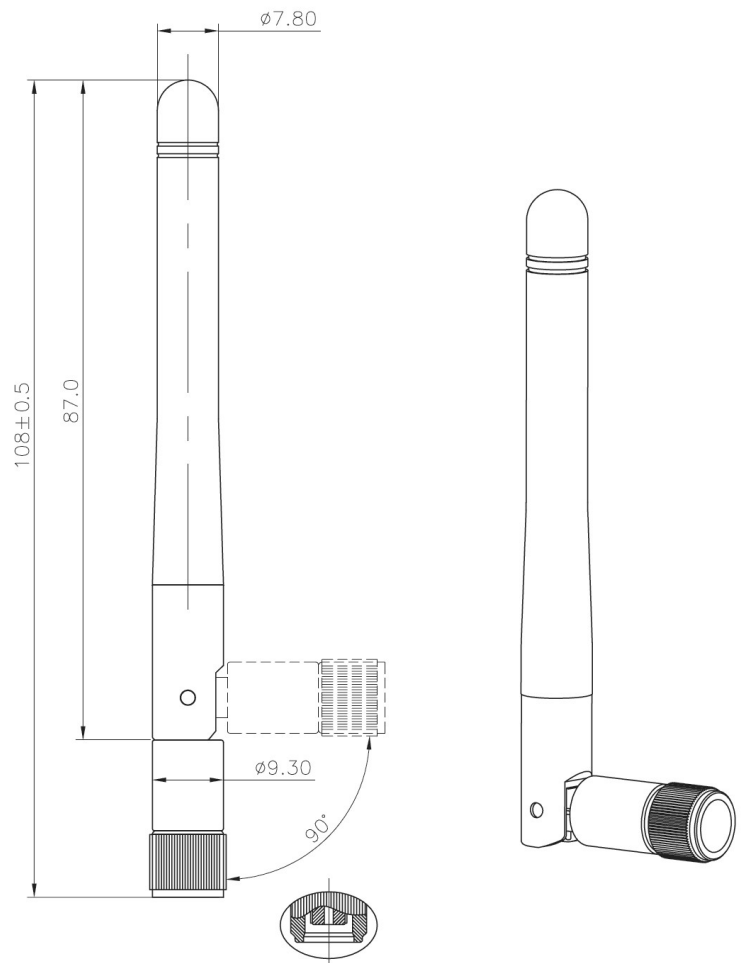
1 Antenna description

Electrical

Frequency Range	800 MHz 900 MHz 1800 MHz 1900 MHz 2100 MHz
Impedance	50Ω
V.S.W.R.	≤2.0
Radiation	Omni
Electrical Wave	½ λ, Dipole
Polarization	Vertical

Mechanical

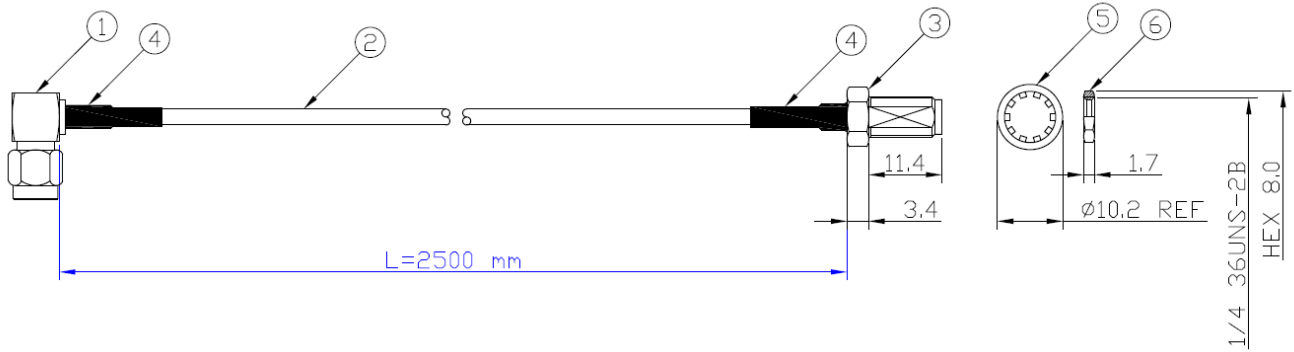
Antenna Cover	Plastic
Antenna Base	Plastic
Color	Black
Operating Temperature	-20°C to +65°C
Storage Temperature	-30°C to +75°C
Cable	RG-178
Connector	SMA Male Reverse



KB Name	2G/3G GSM antenna + cable kit		
Type	Product description : EW40922, EW40923		
Since revision			
KB Number	KB-0037-0	Build	5
Mod date	10. Jun. 2010		

Knowledge Base Information

2 Cable description



1	SMA right angle Plug (gold)
2	RG174-MIT coaxial cable (Black)
3	SMA bulkhead jack (Gold)
4	Heatshrink (Black)
5	Washer
6	Nut